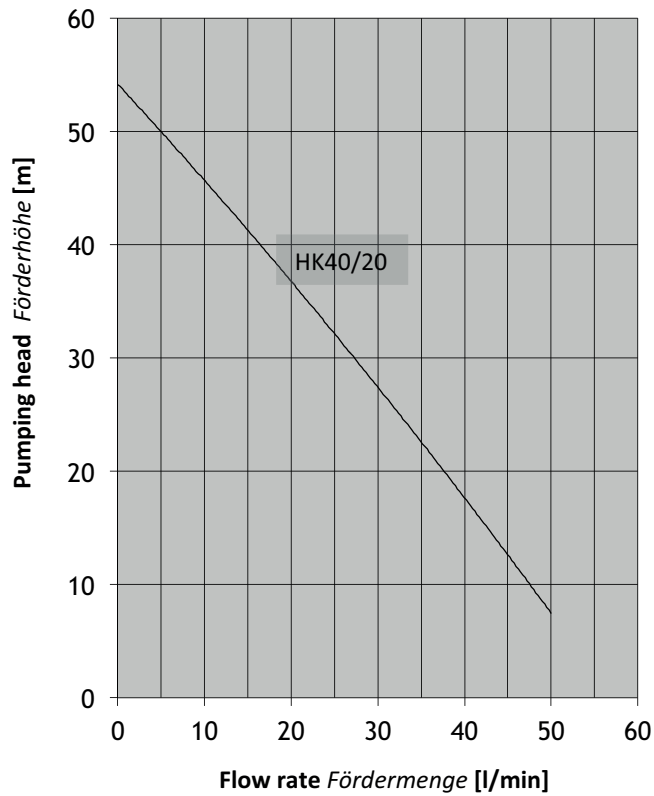
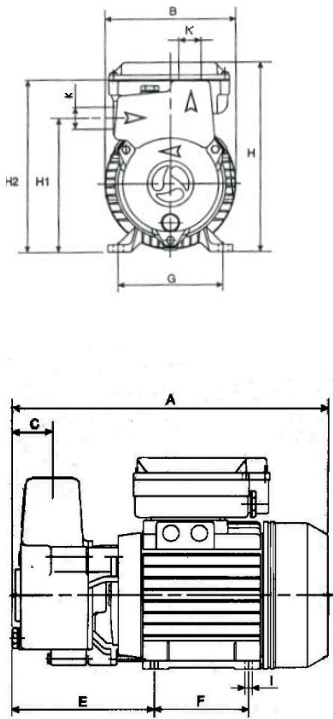


## Centrifugal pump HK40/20 *Kreiselpumpe HK40/20*

- Self priming (max suction head 8m), Impeller brass, hydraulic cast iron
- *selbstansaugend (max 8m), Laufrad Messing, hydraulische Teile Grauguss*



Type	A	B	C	E	F	G	I	H	H1	H2	K	Weight [Kg]
HK40/20	301	142	38	136	90	112	7	206	146	187	1"	10,7

Type	Electric Data			
HK40/20	1,1 kW	230/400 V	3,5 – 2 A	50 Hz