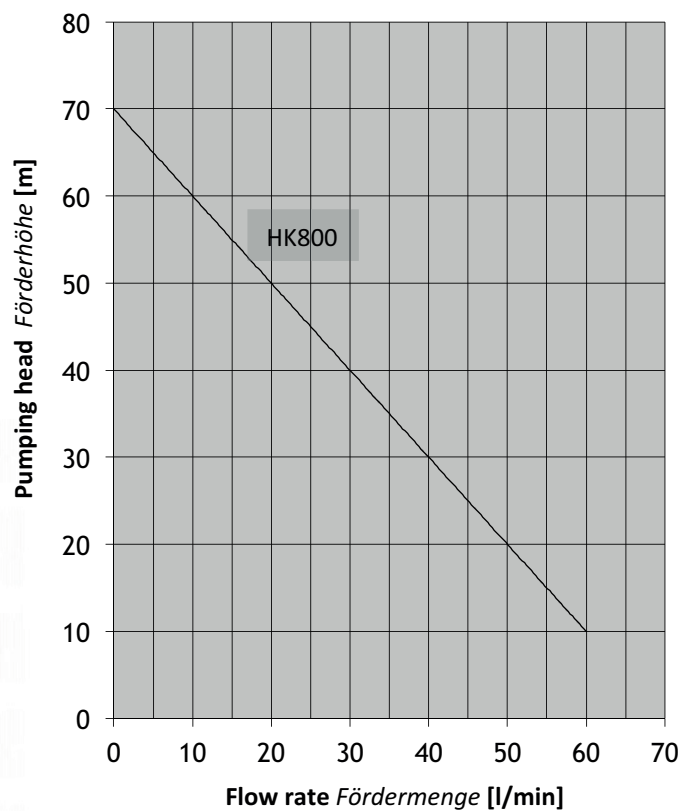
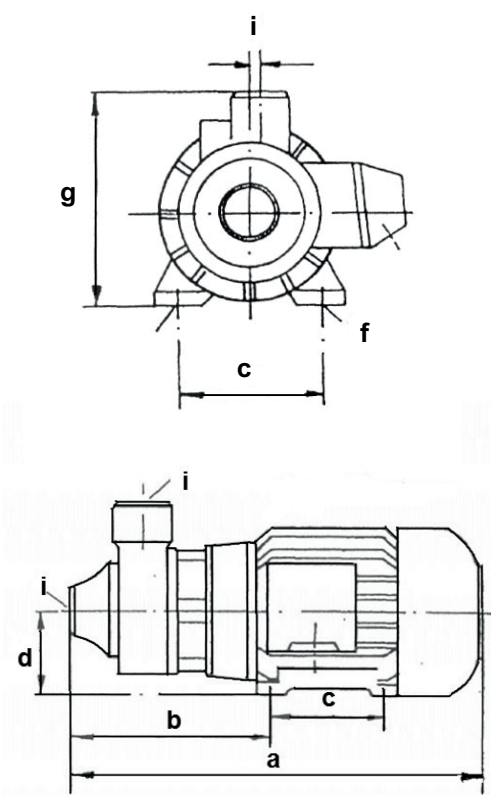


## Centrifugal pump HK800 *Kreiselpumpe HK800*

- Regular priming, for fluids to 150°C, Hydraulic in red brass, shaft stainless steel, mech seal SiC/SiC
- *normalsaugend, für Medientemperaturen bis 150°C, Hydraulik in RG, Edelstahlwelle, Gltrd SiC*



Type	A	B	C	E	F	G	H	I	Weight [Kg]
HK800	330	160	90	112	7x 12	165	12	1"	10,7

Type	Electric Data			
HK800	0,8 kW	230/400 V	3,1 – 1,8 A	50 Hz