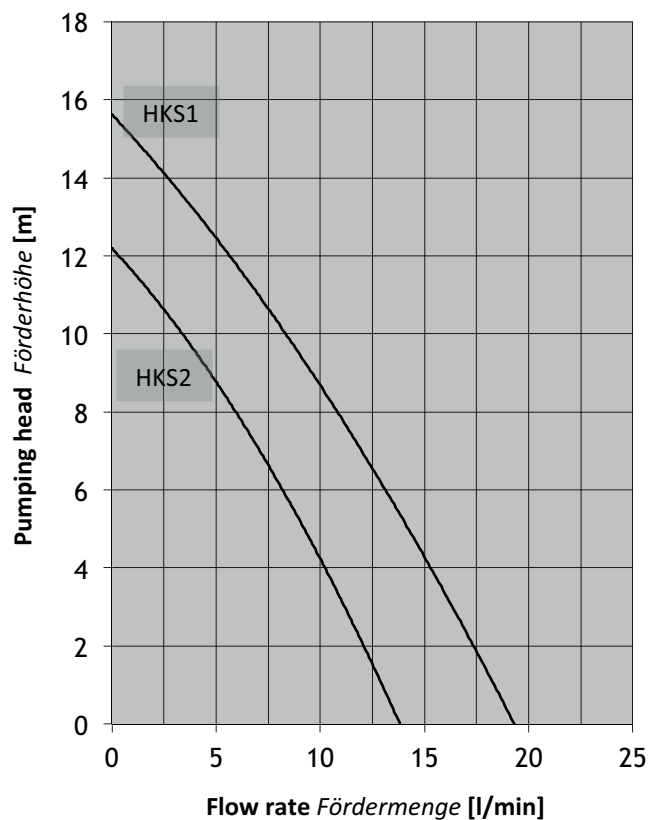
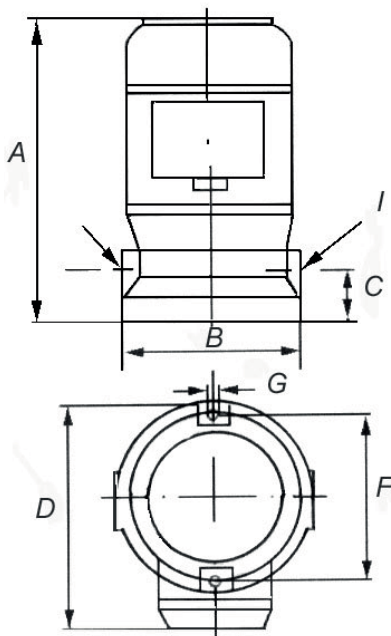


## Centrifugal pump HKS *Kreiselpumpe HKS*

- Self priming (max 6m), for liquids up to 80°C, impeller brass, hydraulic cast iron, mech seal graph/ ceram
- *Selbstansaugend (max 6m), bis 80°C, Laufrad Messing, Hydraulik GG, Gltrd Kohle/ Keramik*



Type	A	B	C	E	F	G	I	Weight [Kg]
HKS1	215	115	48	144	95	7	1/2"	4,5
HKS2	270	115	48	165	95	7	1/2"	5

Type	Electric Data			
HKS1	0,18 kW	230/400 V	0,9/ 0,55 A	50 HZ
HKS2	0,3 kW	230/400 V	1,0/ 0,6 A	50 Hz